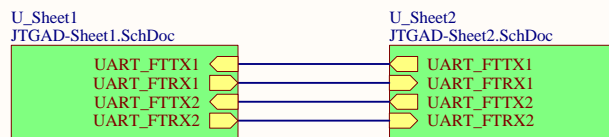


JTAG/DEBUG ADAPTER for ARM / MSP430: JTGAD-EHDW-04



DESIGN ASSUMPTIONS
 Serial data from target is UART level
 JTAG power voltage is > 3.4V

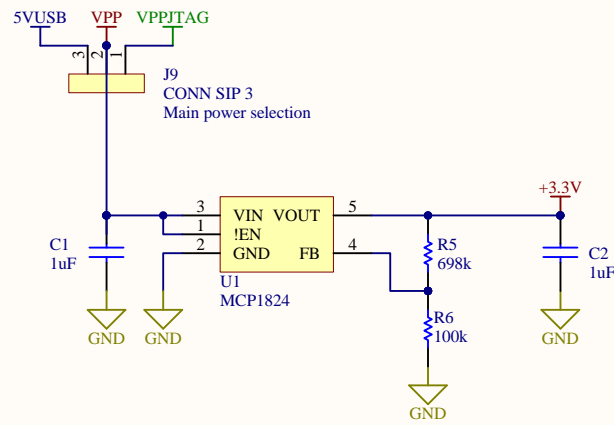
LBL1
PCB REV
PCB Revision



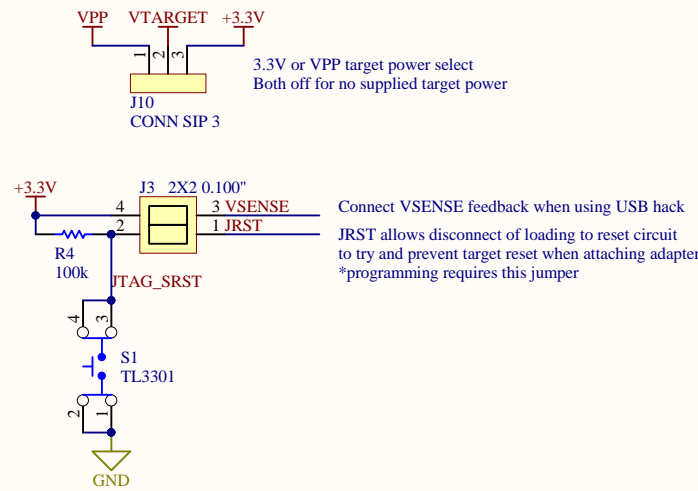
engENUICS
www.engenuics.com
6680A MIRAH ROAD
SAANICHTON, BC
CANADA V8M 1Z4
1-888-912-3451

Title: <i>Block diagram and PCB labels</i>		
Number: JTGAD-EHDW	Version 04	Author: JRL
Date: 6/19/2015	Sheet: 0 of 2	
File: JTGAD-EHDW-04.SchDoc		

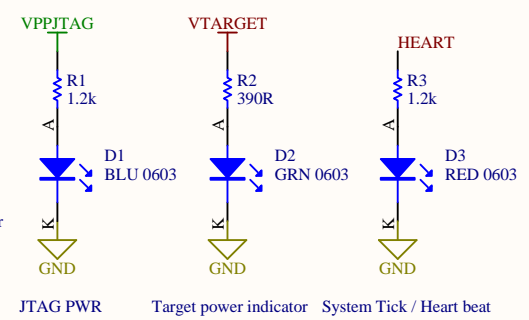
POWER SUPPLY



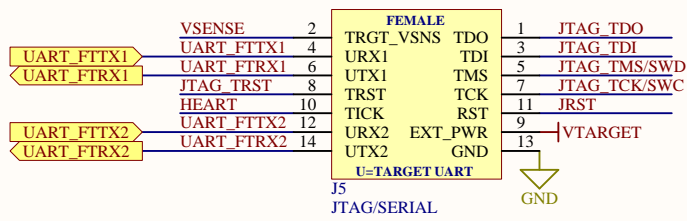
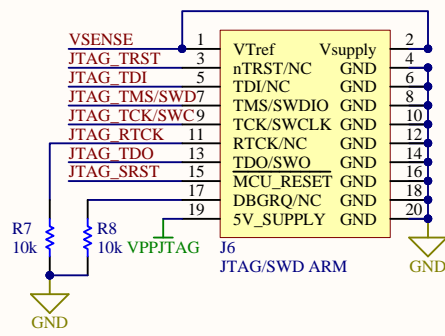
CONFIG JUMPERS



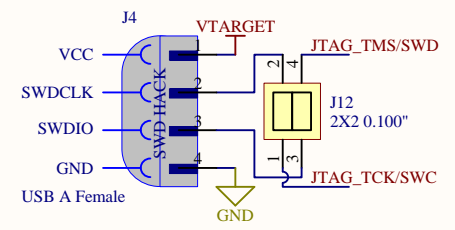
INDICATORS



JTAG HEADERS



TARGET CONNECTORS



Repurposed USB SWD Programming Connection
 Select output power to target & use VSENSE
 J12 sets IO/CLK to USB 2/3

