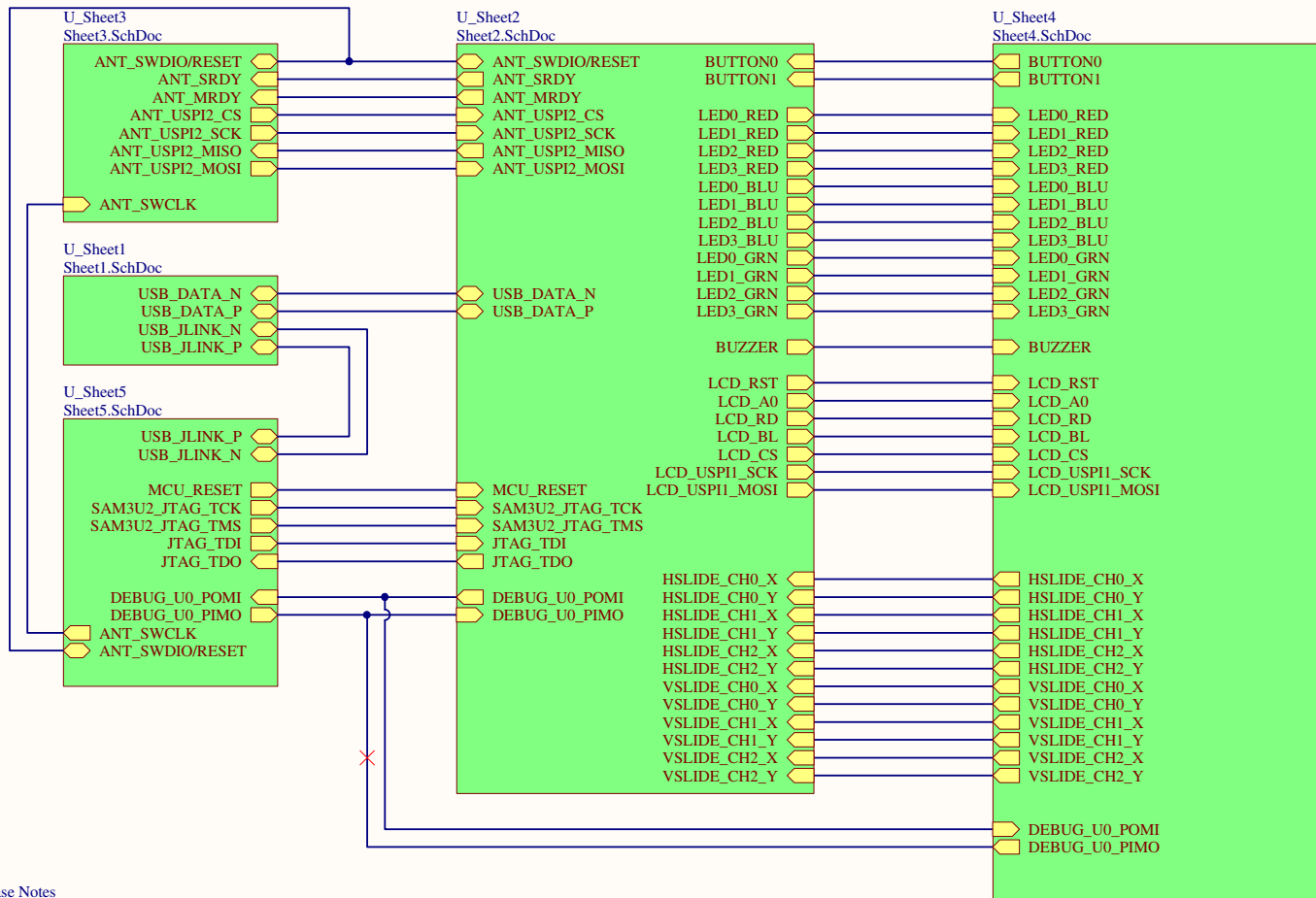
















MPGL2 Razor Development Board: MPGL2-EHDW-02




U_MPGL2-EHDW-02 Release Notes
MPGL2-EHDW-02 Release Notes.SchDoc

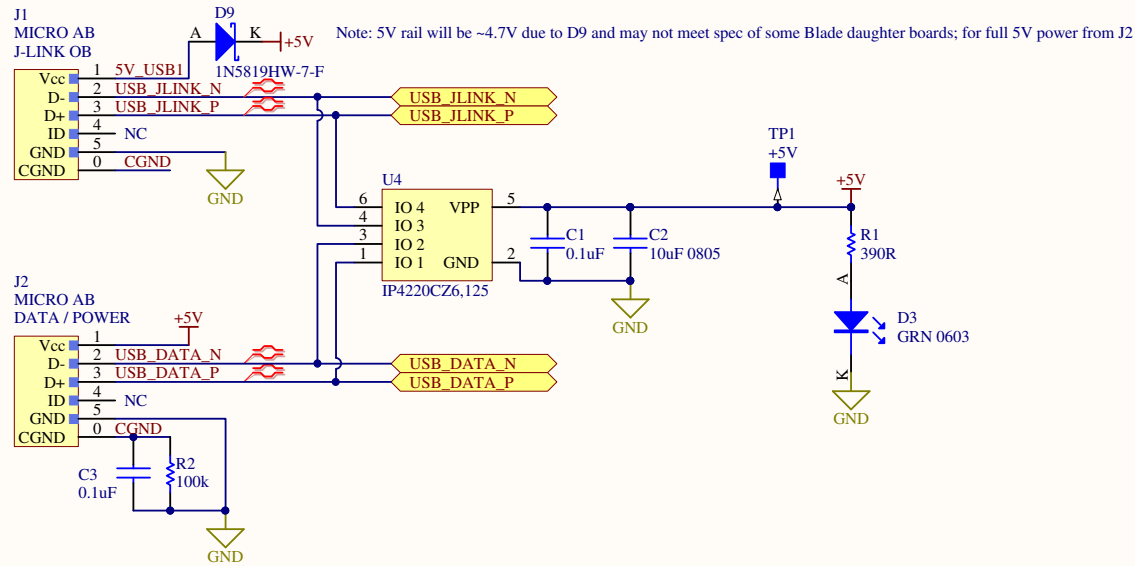


- LBL1

ENGENUICS LOGO
- LBL2

Segger
- LBL3

Atmel
- LBL4

ANT
- LBL7

Nordic
- LBL8

Pason
- LBL9

Newhaven

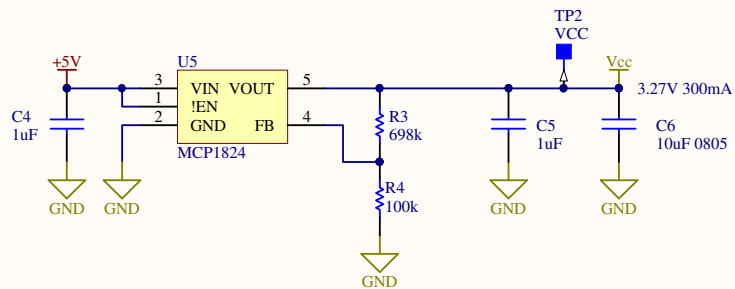
- LBL6
PCB Revision
PCB REV
- Z1
PCB

- Z2
PCB

- Z3
PCB

- Z4
BUMPON
Z6

BUMPON
- Z5
BUMPON
Z7

BUMPON
- TOOLING
TOOLING
 0.125"
- TOOLING
TOOLING
 0.125"

 6680A MIRAH ROAD SAANICHTON, BC CANADA V8M 1Z4 1-888-912-3451	Title: Block Diagram and PCB Labels		
	Number: MPGL2-EHDW	Version 02	Author: JRL
	Date: 9/4/2014	Sheet: 0 of 5	
	File: MPGL2-EHDW-02.SchDoc		

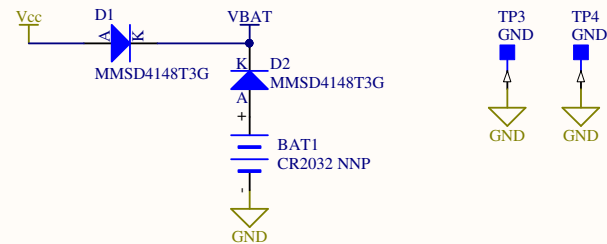
5V USB Input

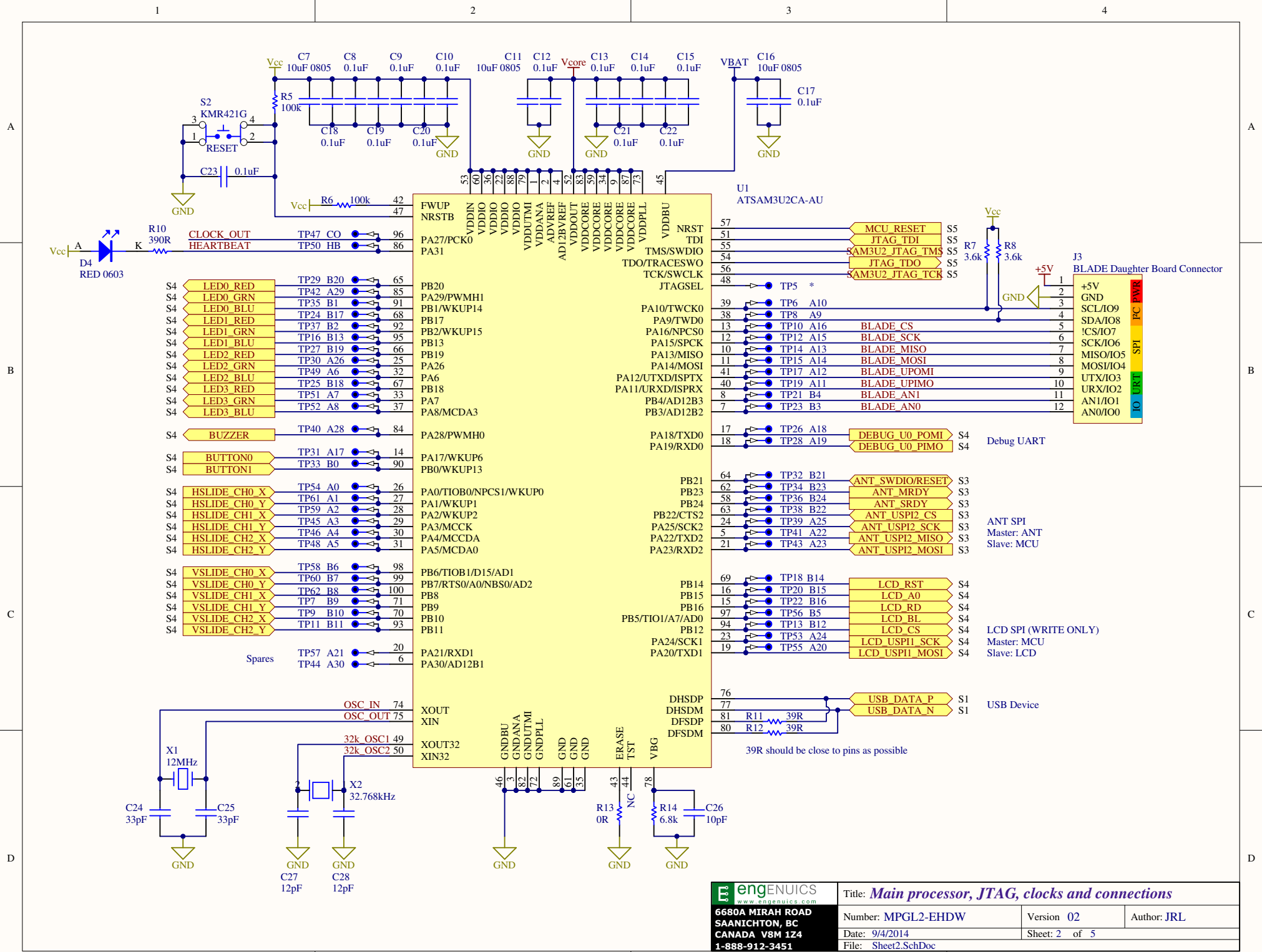


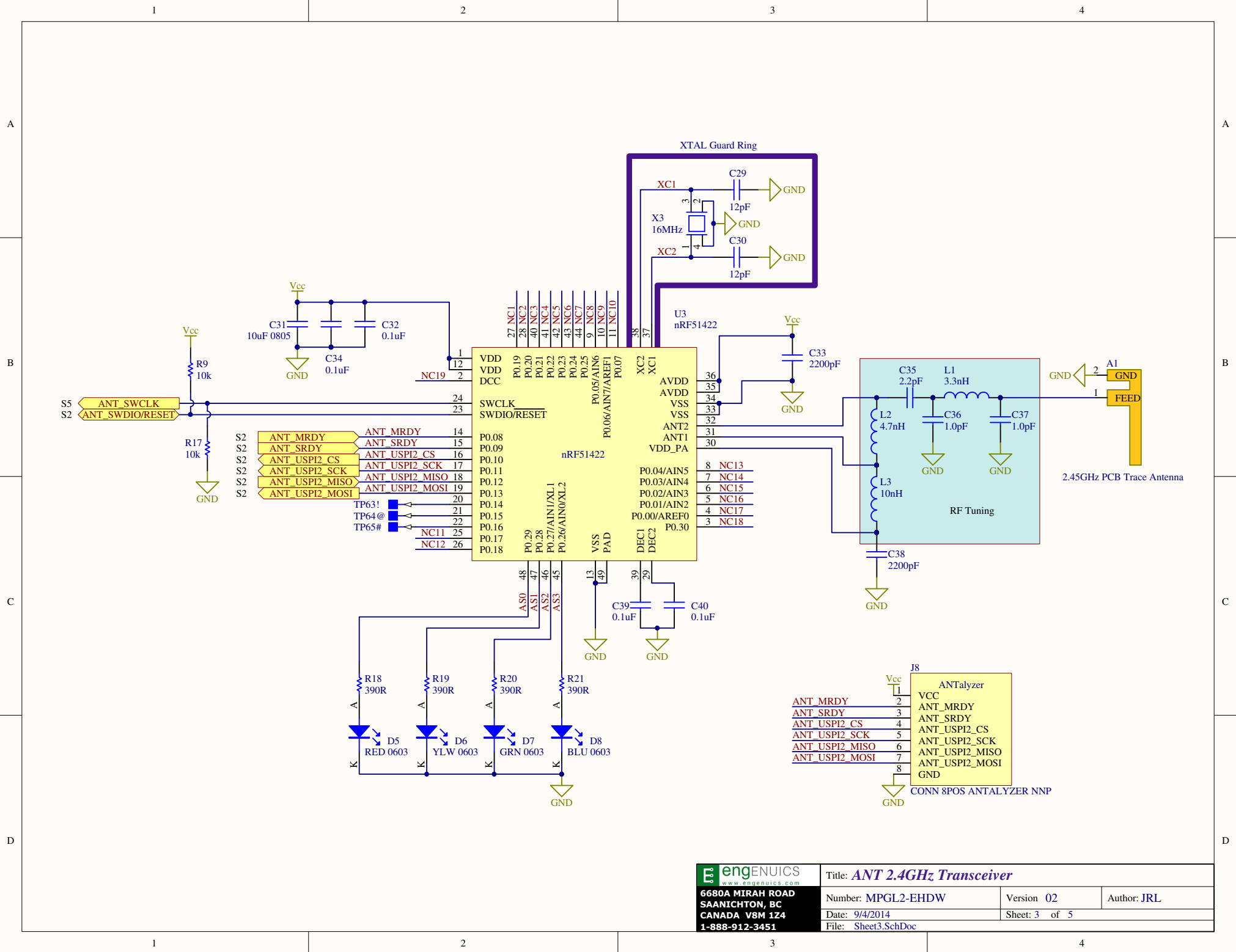
VCC Regulator: 3.3V Output



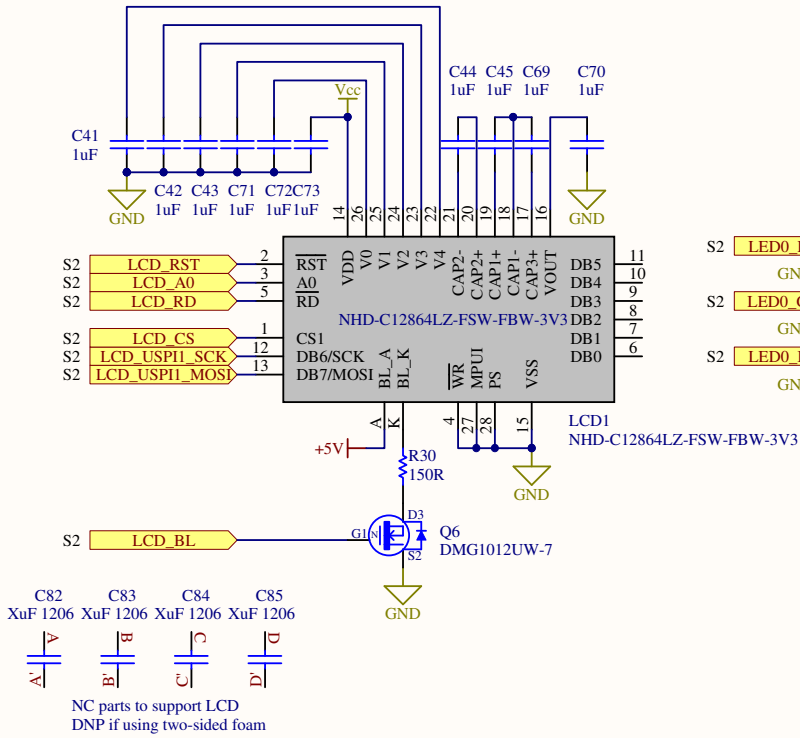
Backup battery



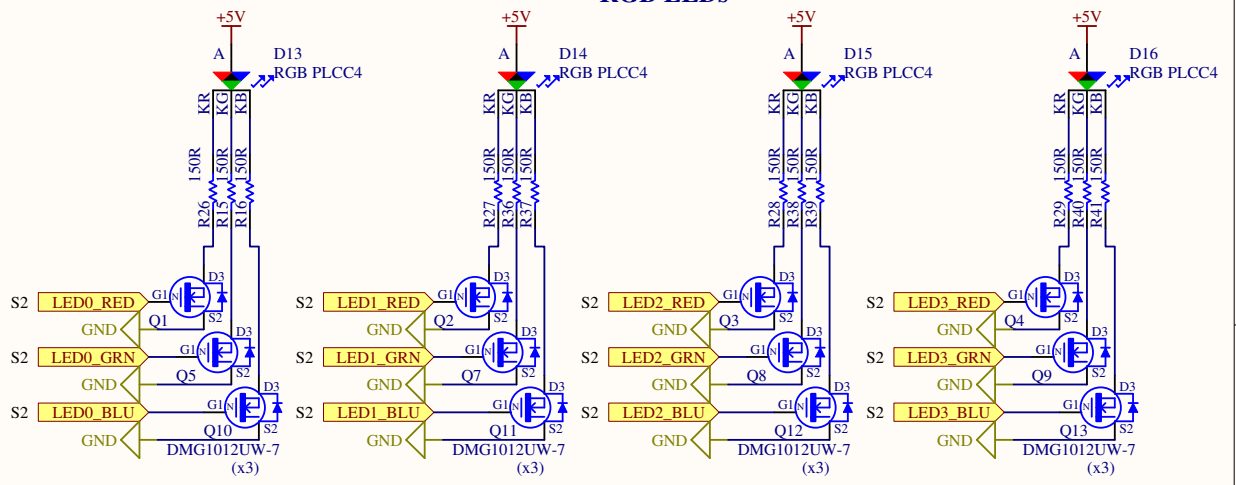




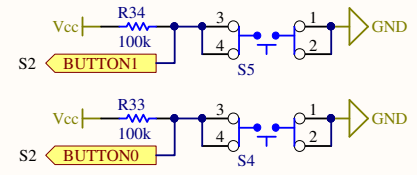
Dot Matrix LCD



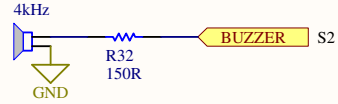
RGB LEDs



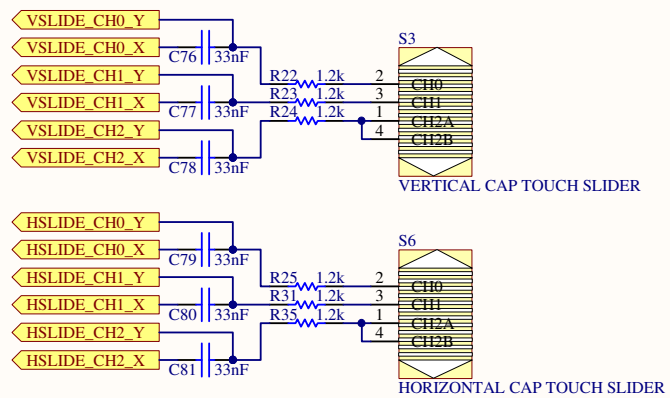
Buttons



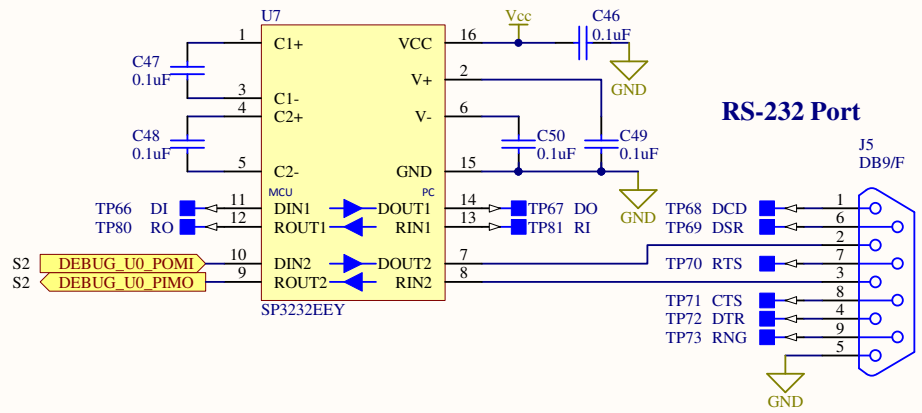
Buzzer

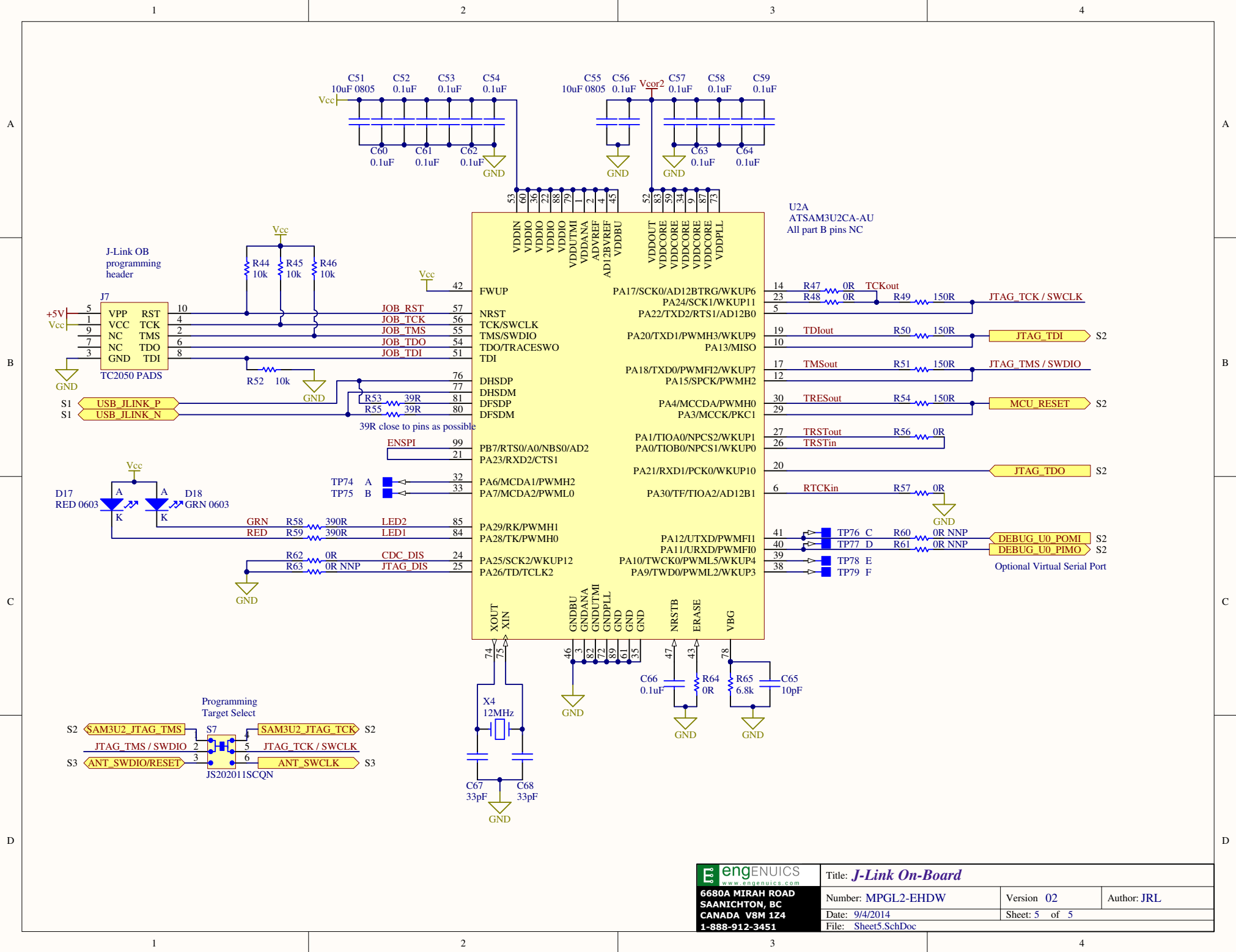


CapTouch Sliders



RS-232 Port





-01 to -02 updates:

Lower cost dual RS232 driver

Cap touch pins and ground plane under for sensitivity

Bumpon circles x 4

Optional USB B SMT for J-Link or conn with pins?

RGB LEDs

Remove accelerometer

Switch for SWCLK and SWDIO for ANT programming.

Remove power switch and diode connect J-Link power (for true 5V, use PWR/DATA in port)

Considered by not implemented:

3rd mounting hole

LCD flat on board